


REVISION HISTORY			
REV.	DESCRIPTION OF CHANGE	DATE	SIGN
A	DESIGN RELEASE	9/25/12	RAQ
B	ADDED 3RD BAATTERY BUSBAR TO ASSEMBLY	2/10/14	RAQ

PARTS LIST			
ITE	QTY	PART NUMBER	DESCRIPTION
24	5	10-218-1	*Varies*
1	1	3-409-10	REV D MNSMA BATTERY CHASSIS ASSY
48	1	3-410-1	REV B MNSMA BATTERY COVER
5	3	3-411-10	REV C MNSMA BATTERY BUSBAR
18	1	5-029-1	REV A BADEGE 2
4	10	5-047-1	REV E MN INSULATOR BLACK 2-0
36	2	5-047-2	REV E MN INSULATOR WHITE 2-0
3	8	5-047-3	REV E MN INSULATOR RED 2-0
38	2	5-047-4	REV E MNXX INSULATOR BROWN 2-0
39	2	5-047-5	REV E MNXX INSULATOR GREEN 2-0
40	2	5-047-6	REV E MNXX INSULATOR BLUE 2-0
11	8	6-007-1	SCREW SMS 10-32 X.375 PHP SS
12	8	6-017-1	INT. STAR WASHER NO.10 SS
13	12	6-054-1	SCREW 10-32 X 5-16 100 DEGREE FHP SS
10	10	6-093-1	3 8 KEPS NUT SS
22	1	6-113-1	SMALL PATTERN 8-32 NUT SS
21	1	6-116-1	NO.8 INTERNAL LOCK WASHWER
17	2	6-181-1	SCREW 10-32 X 5-8 100 DEGREE FHP SS
23	2	6-182-1	NYLOCK NUT NO.10 SS
44	12	9-007-1	250 AMP 250 VOLT GJ1 BREAKER
29	8	9-070-1	2 INCH CONDUIT ADAPTOR
33	2	9-071-1	2 INCH CONDUIT METAL NUT
19	1	9-096-1	6 POSITION BUS BAR
37	6	9-225-1	BUSBAR POSITION 2-0
42	2	9-291-1	BUSBAR 15 POSITION
43	1	9-291-9	P1 MNXX BUSBAR 9 POSITION 2-0
7	1	9-475-2	REV A MODIFIED CURRENT SHUNT 1000A-100MV
6	8	9-504-1	MOLEX 192210570 3-0 RING TERMINAL
45	1	9-505-1	MOLEX 193173112 MCM 350 RING TERMINAL
46	2	9-506-1	MOLEX 193172010 MCM 350 RING TERMINAL

**ALL TOLERANCES, UNLESS OTHERWISE STATED:**  
 x.xxx= +/-0.005"  
 x.xx= +/-0.01"  
 x.x= +/-0.05"  
**ALL ANGLES = +/- 1° UNLESS OTHERWISE STATED**

MATERIAL: \_\_\_\_\_ STANDARDS: \_\_\_\_\_  
 FINISH: \_\_\_\_\_  
 PROCESS: \_\_\_\_\_

DRAWN Bob Q	2/10/2014
CHECKED	
QA	
MFG	
APPROVED	

**MIDNITE SOLAR, INC** 

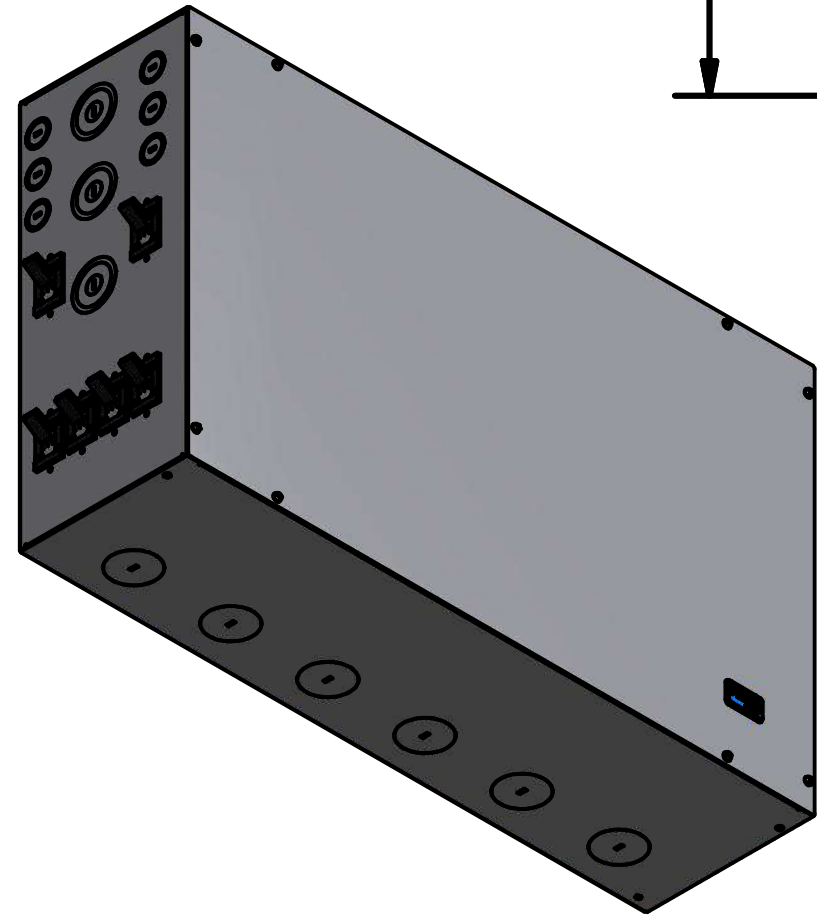
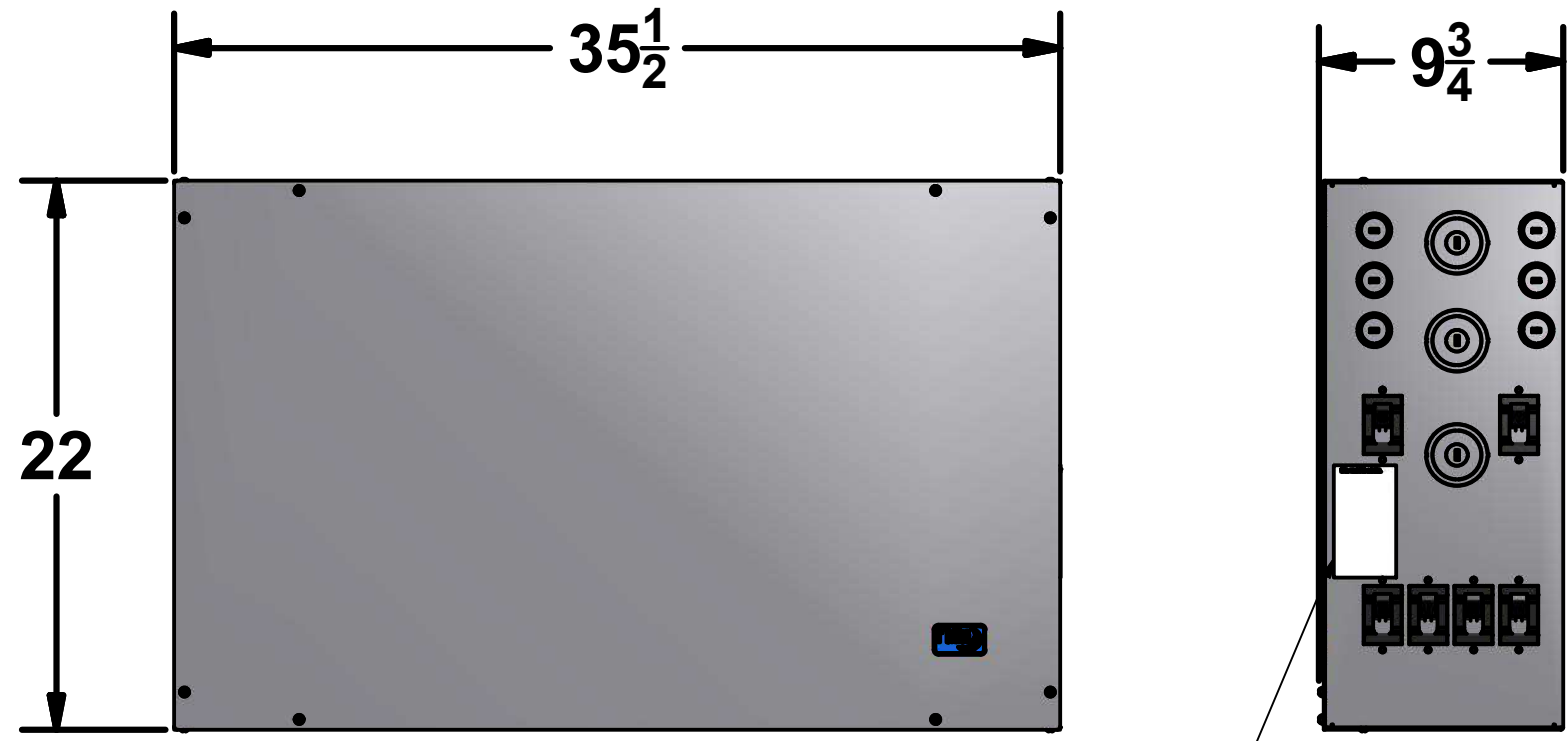
TITLE: **MNSMA REV B MNSMA BATTERY COMBINER FINAL ASSY**

SIZE B	PROJECT: SMA	DWG NO MNSMA REV A MNSMA BATTERY COMBINER FINAL ASSY	REV B
-----------	-----------------	---	----------

E-FILE: MNSMA REV B SMA BATTERY COMBINER FINAL ASSY.ipt SHEET 1 OF 2


REVISION HISTORY			
REV.	DESCRIPTION OF CHANGE	DATE	SIGN

**WEIGHT=49.340 lbmass**



ALL THE LABELING HAS NOT BEEN DEFINED FOR THIS PRODUCT.

<b>ALL TOLERANCES, UNLESS OTHERWISE STATED:</b> x.xxx=+/-0.005" x.xx=+/-0.01" x.x=+/-0.05"		DRAWN Bob Q	2/10/2014
		CHECKED	
		QA	
		MFG	
		APPROVED	
MATERIAL:	STANDARDS:		
FINISH:			
PROCESS:			

**MIDNITE SOLAR, INC** 

**TITLE: MNSMA REV B MNSMA BATTERY COMBINER FINAL ASSY**

SIZE B	PROJECT: SMA	DWG NO MNSMA REV A MNSMA BATTERY COMBINER FINAL ASSY	REV B
-----------	-----------------	---	----------

E-FILE: MNSMA REV B SMA BATTERY COMBINER FINAL ASSY.ipt      SHEET 2 OF 2