

REVISIONS		
REV	DESCRIPTION	DATE

MATERIAL

FINISH

DRAWING INTERPRETATIONS	
PROJECTIONS 	DIMENSIONS INCHES MILLIMETERS

UNSPECIFIED TOLERANCES  
DECIMALS ±.020 (±.510 mm); ANGULAR ±1°

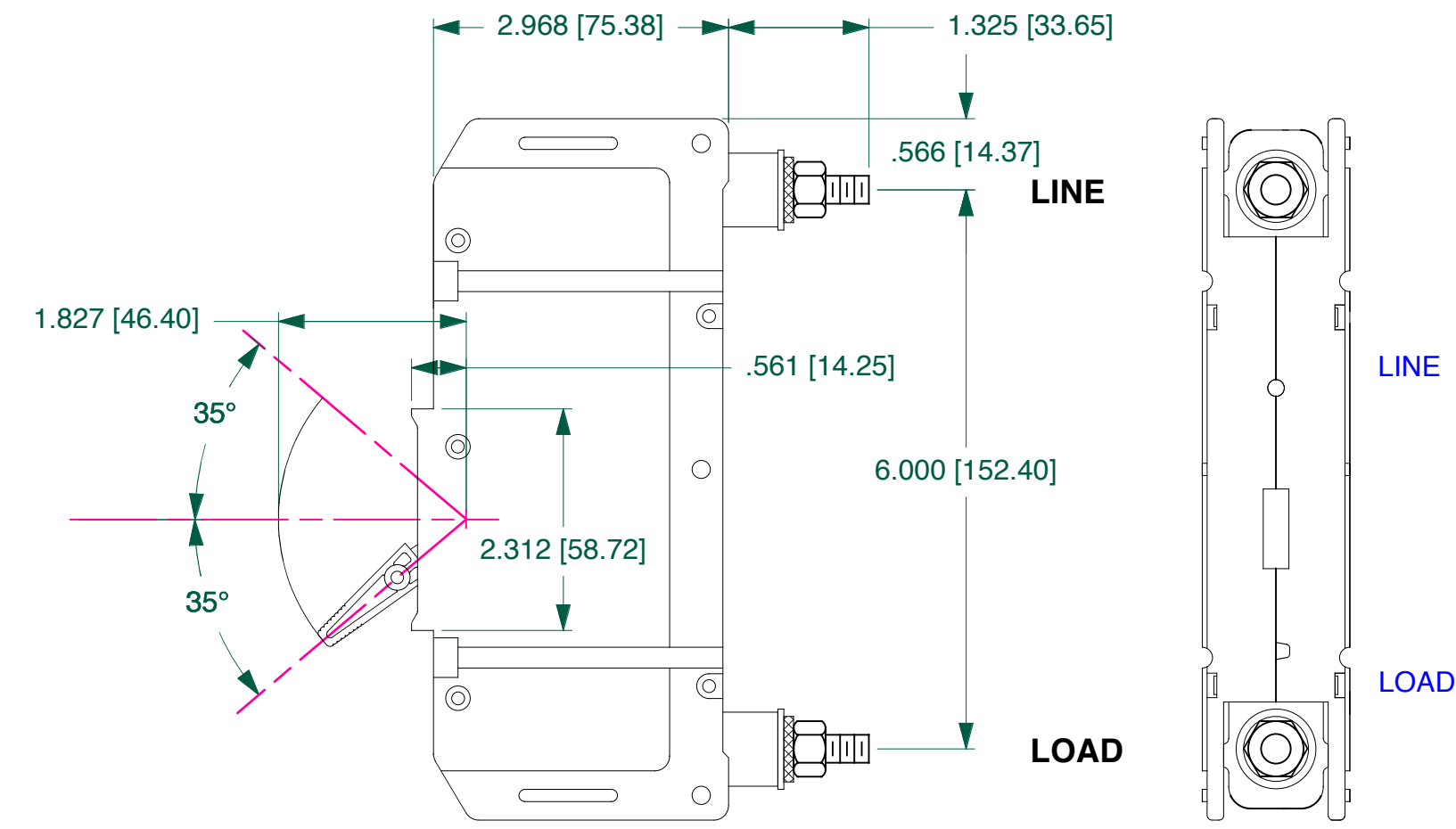
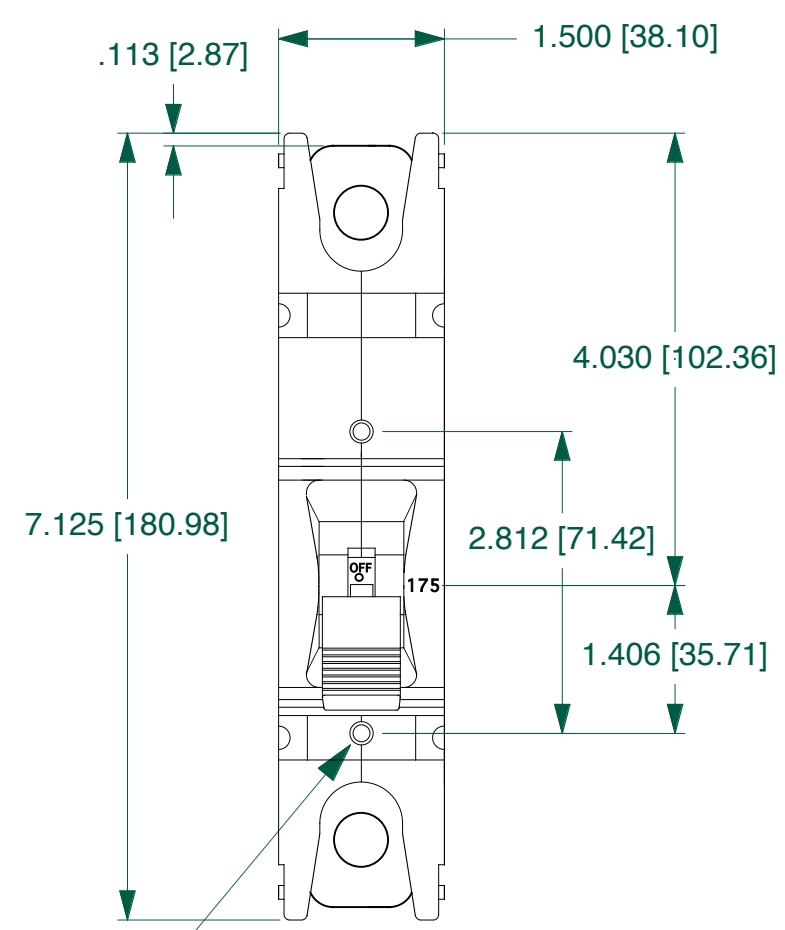
DRAWN BY: <b>MM</b> <b>9-18-12</b>	CHECKED BY:	SCALE
APPROVED BY:	DATE APPROVED	

**DO NOT SCALE DRAWING**

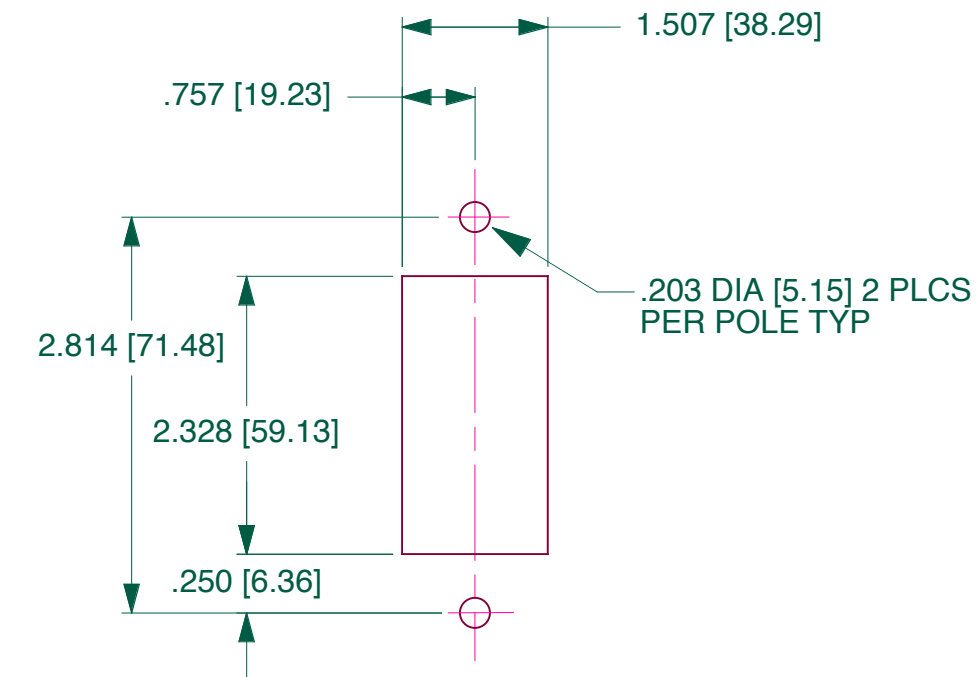
TITLE  
**"F" SERIES**  
**CIRCUIT BREAKER**

**CARLINGSWITCH, INC.**  
CIRCUIT BREAKER DIVISION  
PLAINVILLE, CT

SIZE <b>B</b>	DRAWING NO. <b>FA1-B0-14-917-12A-BG</b>	REV
SHEET OF		SHEET <b>1</b> OF <b>1</b>



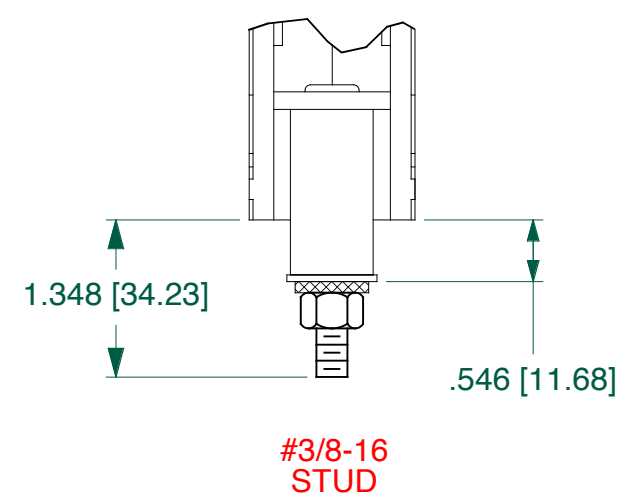
10-32 THREAD X .300 [7.60] DEEP  
(2 PLCS) / POLE



PANEL CUTOUT DETAIL

**LABEL INFORMATION:**

FL. AMPS 175  
MAX VOLTS 125  
HERTZ DC  
DELAY 14 (MED)  
CIRCUIT: B0 (SERIES)  
TRIP AMPS 218.75  
SPECIAL PURPOSE NOT FOR GENERAL USE



CONTROL SYMBOLS		TOOL NO.	REV
	<b>CRITICAL</b>		
	<b>MAJOR</b>		
		REFERENCE NO.	
		SHEET OF	

REVISIONS		
REV	DESCRIPTION	DATE

MATERIAL

FINISH

DRAWING INTERPRETATIONS	
PROJECTIONS 	DIMENSIONS INCHES ←→ MILLIMETERS

UNSPECIFIED TOLERANCES  
DECIMALS ±.020 (±.510 mm); ANGULAR ±1°

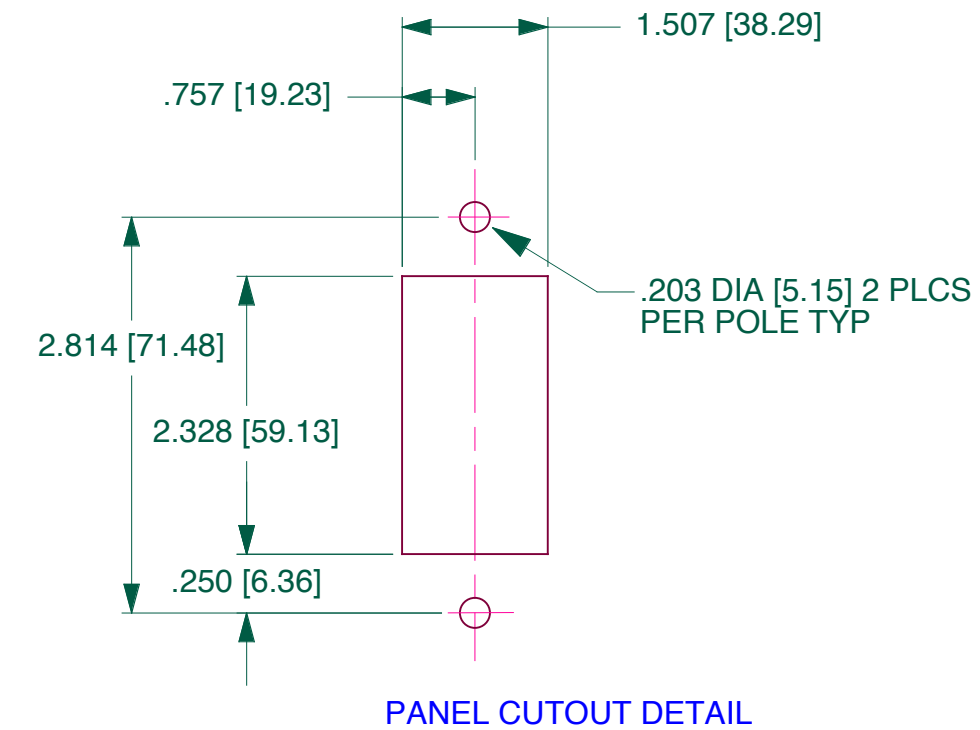
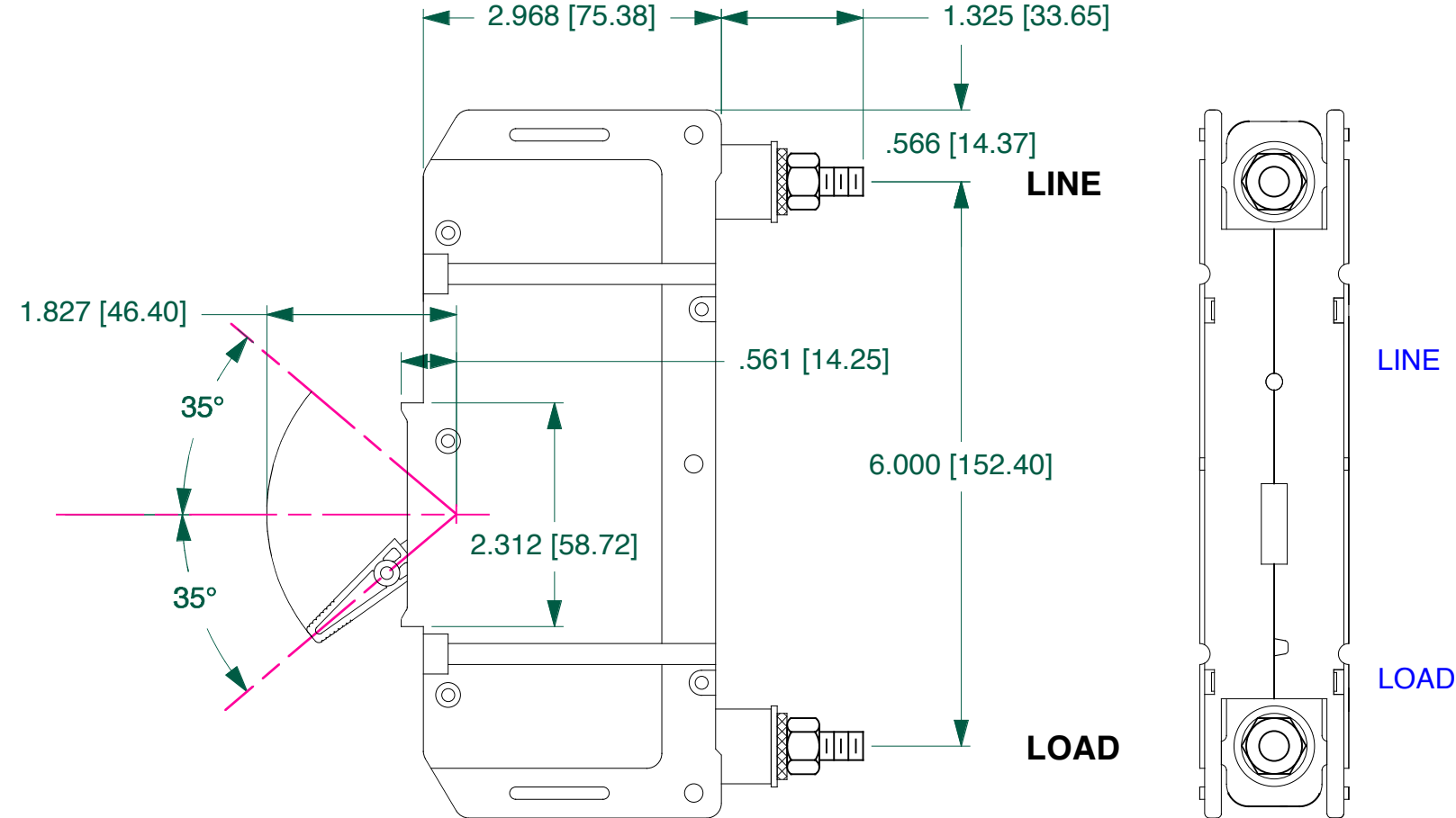
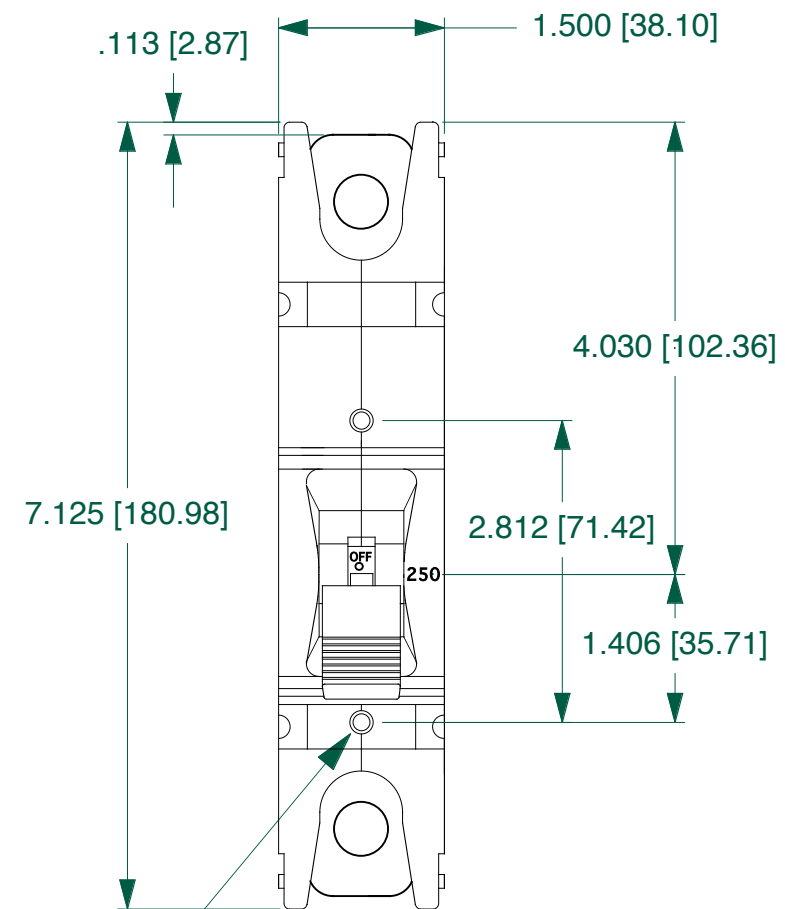
DRAWN BY: <b>MM</b> <b>4-18-13</b>	CHECKED BY:	SCALE
APPROVED BY:	DATE APPROVED	

**DO NOT SCALE DRAWING**

TITLE  
**"F" SERIES**  
**CIRCUIT BREAKER**

**CARLINGSWITCH, INC.**  
CIRCUIT BREAKER DIVISION  
PLAINVILLE, CT

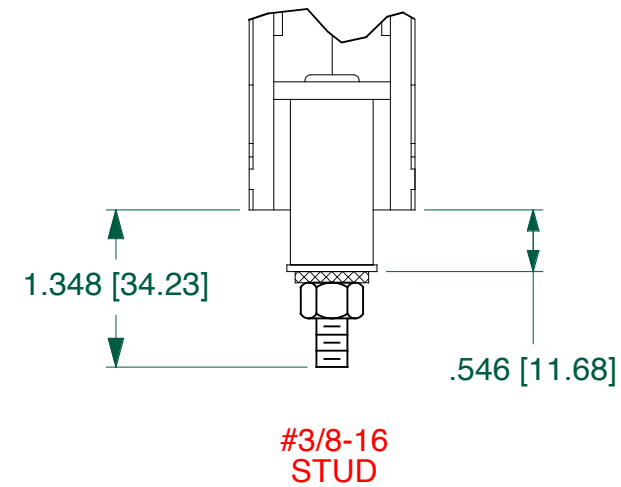
SIZE <b>B</b>	DRAWING NO. <b>FA1-B0-16-825-12A-BG</b>	REV <b>01</b>
SHEET OF		SHEET <b>1</b> OF <b>1</b>



**LABEL INFORMATION:**

FL. AMPS 250  
 MAX VOLTS 125  
 HERTZ DC  
 DELAY 16 (LONG)  
 CIRCUIT: B0 (SERIES)  
 TRIP AMPS 313

SPECIAL PURPOSE NOT FOR GENERAL USE



CONTROL SYMBOLS	
	<b>CRITICAL</b>
	<b>MAJOR</b>

TOOL NO.	REV
REFERENCE NO.	
SHEET OF	